



Item #: _____
Model: IR-280L Series
Product Name: H280 Series Infra-Red Salamander Broiler

GARLAND® GAS
H280 Series Infra-Red Salamander Broiler

IR-280L Series



Model IR36-280L

Specification:

Range mount gas infra-red salamander broiler Model IR ___-280L. Available to mount over Garland Starfire H280 Series restaurant ranges 36" - 72" wide. Two (2) 20,000 BTU (5.86 kW) atmospheric infra-red burners. Three (3) position adjustable rack. Stainless steel front, sides and backsplash. 40,000 BTU (11.72 kW) total. Natural or propane gas. AGA, CGA certified and NSF listed.

Standard Features:

- Stainless steel front, sides and backsplash
- 1/2" NPT top gas inlet
- Two (2) 20,000 BTU (5.86 kW) atmospheric infrared burners
- Two (2) individual Hi-Lo valve controls
- Three (3) position spring-balanced, adjustable rack assembly
- Large capacity removable grease pan
- One year limited parts & labor warranty (USA & Canada only)

Optional Features:

- Stainless steel main top
- Stainless steel main bottom
- Counter Model (IR36-280CL) comes with 4" (102mm) legs
- Wall-mounting kit for model IR36-280CL
- Rear gas inlet (standard on counter model)
- Interconnecting gas piping for range-mount
- ◆ Available to fit all Garland H280 Series ranges from 36"-72" (914mm-1829mm) wide



Garland Commercial Industries, Inc.
185 East South Street
Freeland, Pennsylvania 18224
Phone: (570) 636-1000
Fax: (570) 636-3903

Garland Commercial Ranges Ltd
1177 Kamato Road, Mississauga, Ontario
L4W 1X4 CANADA
Phone: 905-624-0260
Fax: 905-624-5669

Enodis UK LTD
Swallowfield Way, Hayes, Middlesex
UB3 1DQ ENGLAND
Telephone: 081-561-0433
Fax: 081-848-0041



Item #: _____

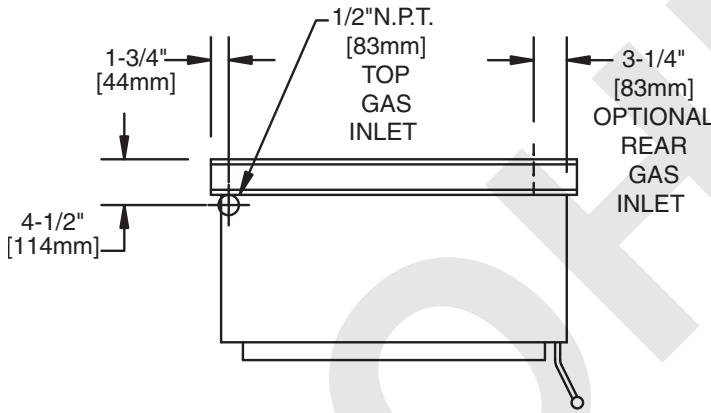
Model: IR-280L Series

Product Name: H280 Series Infra-Red Salamander Broiler

Model	Width	Use With H280 Series Model	Shipping Wt. Lbs./Kgs.	Entry Clearances: In (mm)	
				Crated	Uncrated
IR36-280L	36" (914mm)	H286	200/91	29" (737mm)	21" (533mm)
IR48-280L	48" (1219mm) (36" broiler + 12"/305mm flue riser w/shelf)	H288	230/105	29" (737mm)	21" (533mm)
IR60-280L	60" (1524mm) (36" broiler + 24"/610mm flue riser w/shelf)	H284 & H287	260/118	29" (737mm)	21" (533mm)
IR72-280L	72" (1829mm) (36" broiler + 36"/914mm flue riser w/shelf)	H289	280/127	29" (737mm)	21" (533mm)

Note Salamander Broiler on Left Side. Right Side Optional

Operating Pressure		Installation Clearances		Total Input 40,000 BTU/HR (11.7Kw)
Natural	Propane	Sides	Rear	
6"WC (15mbar)	11"WC (28mbar)	6" (152mm)	6" (152mm)	



Gas input ratings shown for installations up to 2000 ft., (610m), above sea level.

Please specify altitudes over 2000 ft.

Please specify gas type when ordering.

Commercial cooking equipment requires an adequate ventilation system. For additional information, refer to the National Fire Protection Association's standard NFPA96.

This product is not approved for residential use.

